

YOUR PARTNER IN DIGITAL SUCCESS,

PaX-i™



SUPERIOR IMAGE QUALITY

- Optimal image for accurate diagnosis

TWO DEDICATED SENSORS

- Specialized sensors for Pano & Ceph
- Streamlined workflow and prolonged lifespan of sensors

USER-FRIENDLY SOFTWARE, EZDENT-I

- Complete diagnostic and consultation solution

THE ADVANCED IMAGING SOLUTION FOR ACCURATE DENTAL DIAGNOSIS

The PaX-i provides the most precise and high quality panoramic images by combining image processing and accumulated experience in dental imaging from Vatech. This will increase your diagnostic accuracy for improved treatment planning and patient satisfaction.



MAKE YOUR DIAGNOSIS EASY AND EFFICIENT WITH VARIOUS CAPTURE MODES



Bitewing Mode



TMJ Mode

SELECTION	ARCH	EXAMINATION MODE
PANO EXAMINATION	Narrow / Normal Wide / Child	Standard / Right / Front / Left
	Orthogonal	Orthogonal Standard / Right / Front / Left Bitewing Standard / Right / Front / Left
SPECIAL EXAMINATION	Normal	TMJ LAT Open / Close TMJ PA Open / Close Sinus LAT / PA

PRODUCT CONFIGURATION

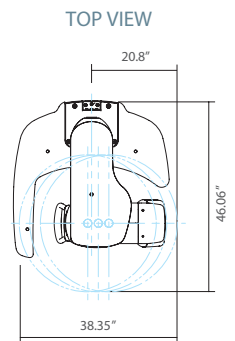
	PANO	CEPH	
		SCAN	RAPID
PaX-i	•	–	–
PaX-i SC	•	•	–

SPECIFICATIONS (PaX-i: PCH-2500)

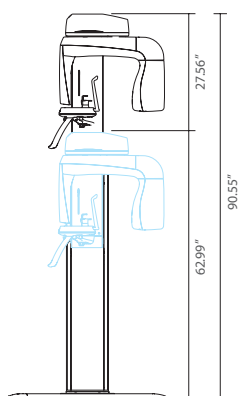
Function	Pano + Ceph	Ceph FOV Size	SC 8.3"x9.1" [LAT, PA, SMV, Waters View, Carpus] 10.6"x9.1" [Full LAT]
Scan Time	Pano : HD 13.5 sec / Normal 10.1 sec Ceph : Scan 12.9 sec	Gray Scale	14 bit
Focal Spot	0.5 mm	Patient Positioning	Standing / Wheelchair Accessible
Tube Voltage/Current	50-90 kVp / 4-10 mA		

DIMENSIONS

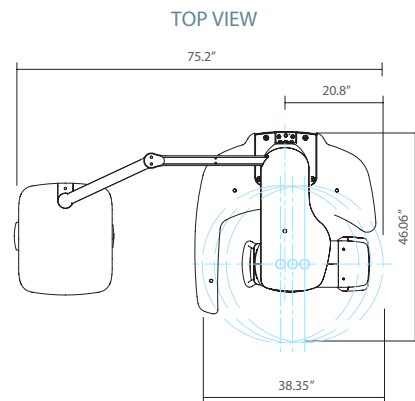
Pano



FRONT VIEW



Pano / Scan Ceph



FRONT VIEW

